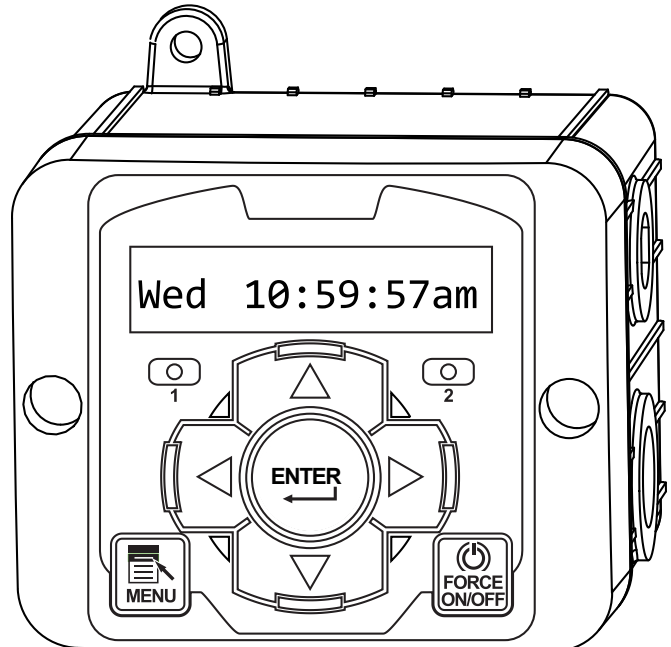


# NanoTron-N

## Microprocessor Control of:

- **mA Input**
  - Scalable mA Output
  - Scalable Pulse Output
- **Selectable  
Feed Timer**



## Key Features

- Compact Design
- Simple Step Through Menu
- NEMA 4X Style Enclosure
- Raised Dome Keypad
- Non-Volatile Memory
- Water Meter Totalizer
- 2 Year Warranty
- Available Flow Switch
- Prewired Configuration

## Application

The NanoTron-N is a compact, dual relay, microprocessor-based controller. It comes with many standard features including one control relay based on a scalable mA input reading, and one selectable feed timer relay.

The NanoTron-N platform provides an economical option for generic input monitoring & control of any mA signal. Selectable feed timer options include: pulse, post control, with control, recycle, 28-day.

# Build a Model

The model number starts with NANO-N and may be followed by any additional options.  
Example: NANO-N-E

## Options

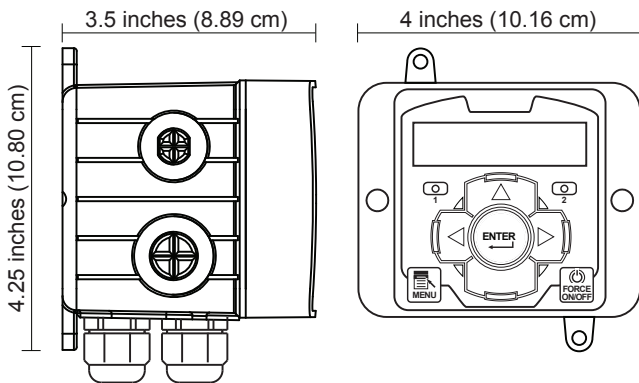
- A** = 120 VAC conduit connections
- A3** = Liquid tight only with CE mark, 120 VAC
- A5** = USA power cord and no relay cord
- A7** = Australian power cord (240 VAC)
- E** = Float style flow switch assembly; 140 PSI @ 75°F
- E3** = Paddle flow switch with PVC flow assembly
- E5** = Paddle flow switch with brass assembly; 250 PSI @ 75°F (order appropriate probes)
- E6** = Flow switch connection only with cable
- K** = Prewired cable for mA output (Nano-N, M, P or R only) with external connector
- W** = Larger enclosure with clear lockable cover
- Y** = ETL agency listing

All NanoTron units include:

- 2 relay outputs with “force on” mode
- 1 low drum alarm input
- 1 water meter input with accumulator and totalizer

Possible units of measure for mA input display:

mA	mg/L	gl	Ltr
lb	ml	F	C
psi	%	Mil/Yr	uM/Yr
CFU/ml	gpm	Lpm	mm
pH	mS/cm	PPB	N/A
PPM	uS/cm	TDS	mV



# Specifications

## Electrical

- **Input:** 100-240 VAC, 50/60 Hz
- **Control:** Input VAC, 3 Amp / relay  
Prewired units are supplied with an 8' (248.84 cm) power cord and 8" (20.32 cm) output receptacles.
- **Water Meter:** Dry contact  
Hall-effect; +5 VDC input

## Operational

- **Output:**  
1 scalable mA output powered or isolated  
1 scalable pulse output
- **Display:** LCD 1 x 16 backlit alphanumeric
- **Timers included:**  
**Pulse:** 1-9999 counts, MM:SS run time  
**Recycle:** HH:MM off cycle, MM:SS on cycle  
**28-Day:** Weeks, Days, HH:MM run time  
**Batch:** Manual 1 time (on MM:SS)  
**With Control:** HH:MM limit time  
**Post Control:** 0-100%, HH:MM limit time  
**Utility:** Relay always ON & flow dependent  
**Alarm:** Relay ON with alarms

## Enclosure

NEMA 4X style high impact thermoplastic

## Environment

Ambient temperature: 0° to 125°F (-17 to 52°C)  
Relative humidity: 0 to 100%

**Shipping Weight:** Approx. 2 lbs. (0.91 kg)  
W Option: 6 lbs.

## Dimensions:

Width:	4" (10.16 cm)	<b>W Option</b>	7.5" (19.0 cm)
Height:	4.25" (10.80 cm)		7.5" (19.0 cm)
Depth:	3.5" (8.89 cm)		5.9" (14.9 cm)

**Get the Advantage**



4700 Harold Abitz Dr  
Muskogee, OK 74403  
800-743-7431 phone  
888-686-6212 fax  
[www.advantagecontrols.com](http://www.advantagecontrols.com)