

# EchoPod®

## *Ultrasonic Level Sensor*

### *Continuous Drum Level Monitoring*



### **Key Features**

- Rugged PVDF transducer and polycarbonate enclosure
- Compact design
- Provides 4-20mA output
- Order pre-configured for easy start-up

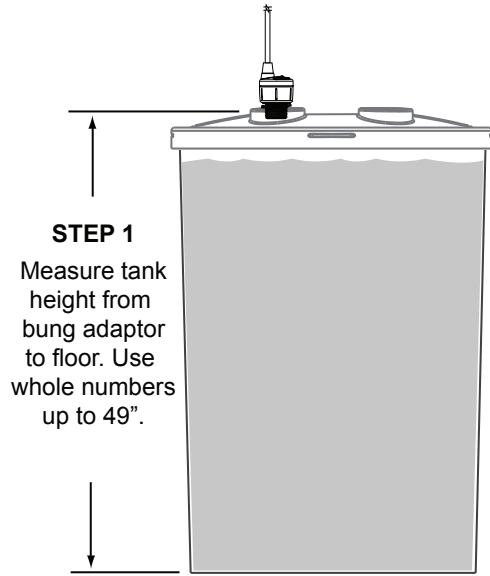
### **Application**

The general purpose ultrasonic sensor provides non-contacting level measurement up to 49" (124 cm) or 9.8' (3 m) with a 4-20mA output.

The two-wire 4-20mA output requires a 24 VDC loop power supply and will work for signal distances up to 1000 feet.

The sensor is well suited for a wide range of media and atmospheric tank sizes.

# Build a model



Pick a model that is closest to the height of your drum.

## Models

- DL10-45** Pre-calibrated to a 45" tall drum
- DL10-40** Pre-calibrated to a 40" tall drum
- DL10-35** Pre-calibrated to a 35" tall drum
- DL10-30** Pre-calibrated to a 30" tall drum
- DL10-25** Pre-calibrated to a 25" tall drum
- DL10-00** No pre-calibration 0-49"
- DL24-00** No pre-calibration 0-9.8'

## Options

- K** Adds a CABLE-7P-2A to sensor

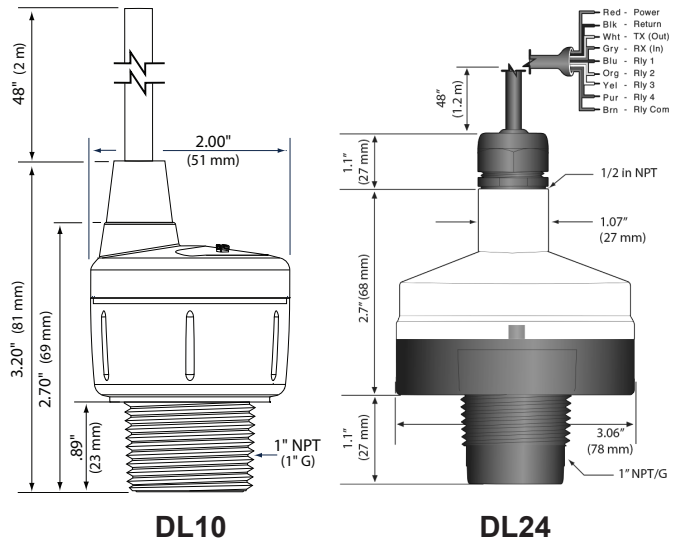
## Parts

- PSDC-24** = Power supply for 1 sensor
- PSDC-24-Q** = Power supply for 1-4 sensors
- L199-1001** = USB fob for configuration
- 2C4A-116** = 2" to 1" reducer bushing
- CABLE-FOB-7P** = Cable to connect K option units to FOB

- Note:**
1. Sensors require 24 volt DC power supply.
  2. The PSDC-24-Q can power up to 4 level sensors.
  3. The USB fob is only needed if you want to change the ordered / programmed lengths.
  4. Pre-calibrated units can have calibration fine tuned in MegaTrons if drum sizes are a little different.

# Specifications

|                            | <b>DL10</b>   | <b>DL24</b>      |
|----------------------------|---|------------------|
| <b>Range:</b>              | Up to 49"(124 cm)                                       | Up to 9.8' (3 m) |
| <b>Accuracy:</b>           | 0.125" (3 mm)   | ±0.2%            |
| <b>Resolution:</b>         | 0.019" (0.5 mm)   | 0.039" (1 mm)    |
| <b>Beam width:</b>         | 2" (5 cm)   | 2" (5 cm)        |
| <b>Dead band:</b>          | 2" (5 cm)   | 4" (10 cm)       |
| <b>Supply voltage:</b>     | 24 VDC (loop)   | 24 VDC (loop)    |
| <b>Loop resistance:</b>    | 400Ω max @ 24 VDC                                       |                  |
| <b>Consumption:</b>        | 0.5W  |                  |
| <b>Signal output:</b>      | 4-20 mA , two-wire reversible mA                        |                  |
| <b>Loop fail-safety:</b>   | 4 mA, 20 mA, 21 mA, 22 mA, hold last                    |                  |
| <b>Configuration:</b>      | WebCal® USB 2.0   |                  |
| <b>Temp. comp.:</b>        | Automatic over range                                    |                  |
| <b>Process temp.:</b>      | F: -20° to 140°<br>C: -7° to 60°                        |                  |
| <b>Ambient temp.:</b>      | F: -31° to 140°<br>C: -35° to 60°                       |                  |
| <b>Pressure:</b>           | MWP = 30 PSI  |                  |
| <b>Enclosure:</b>          | Type 6P encapsulated, corrosion resistant & submersible |                  |
| <b>Encl. material:</b>     | Polycarbonate   |                  |
| <b>Strain relief mat.:</b> | Santoprene  |                  |
| <b>Trans. material:</b>    | PVDF  |                  |
| <b>Cable length:</b>       | 48" (121 cm)  |                  |
| <b>Cable jacket mat.:</b>  | Polyurethane  |                  |
| <b>Process mount:</b>      | 1 inch or *2 inch NPT (*2 inch with included adapter)   |                  |
| <b>Mount. gasket:</b>      | Viton®  |                  |
| <b>Classification:</b>     | General purpose   |                  |
| <b>Approvals:</b>          | CE, cFMus   |                  |



**Get the Advantage**



4700 Harold Abitz Dr  
Muskogee, OK 74403  
800-743-7431 phone  
888-686-6212 fax  
www.advantagecontrols.com