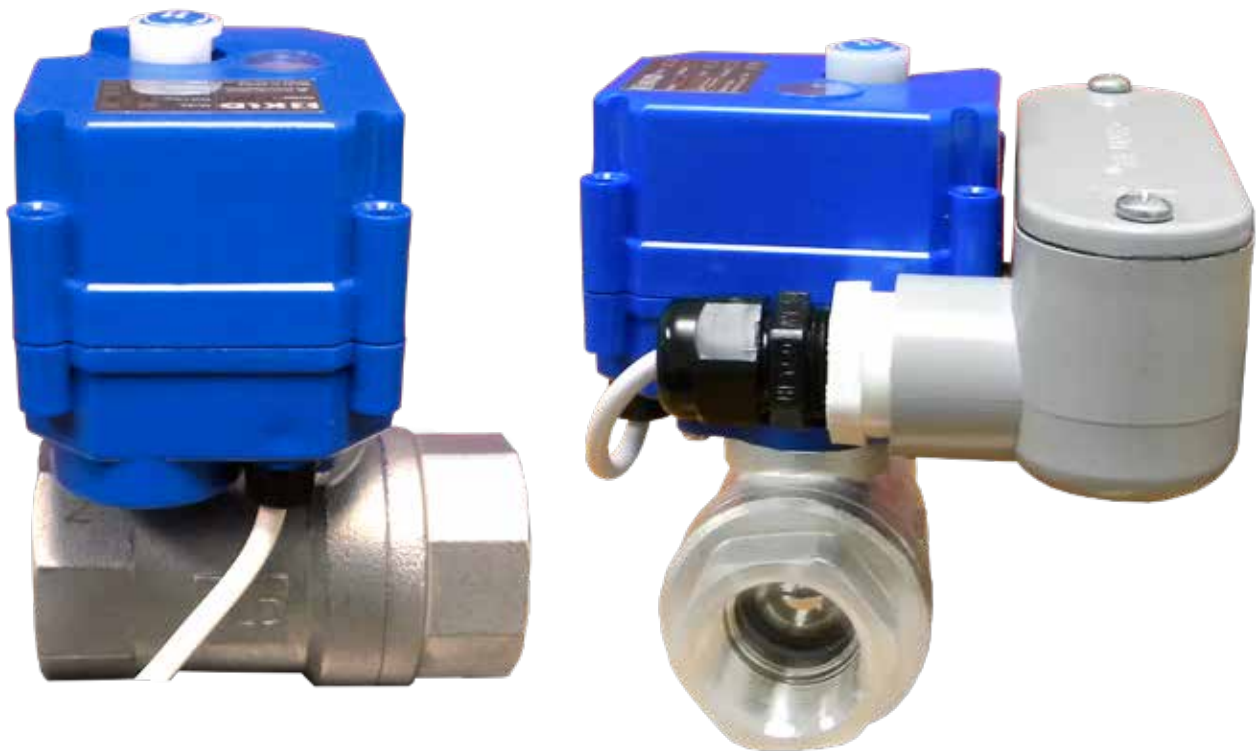


Capacitor Return Motorized Ball Valve with Manual Override

The Capacitor Return Motorized Ball Valve is a ball valve that uses an electric actuator to open or close its mechanism. This type of valve is suited to remote automatic flow control applications such as a cooling tower, industrial water treatment, smart home water treatment system, and many other applications. The motorized ball valve is an economical alternative to a solenoid valve for water treatment professionals looking for a valve that last longer and is more reliable.



FEATURES

- Long service life
- Manual override
- Fast response cut-offs
- Signal feedback
- Compact and light weight

APPLICATIONS

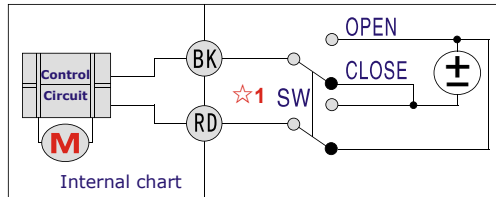
- Cooling Tower
- Industrial Water Treatment
- Water Filters & Filtration Systems
- UF Water Systems
- Purification Systems
- Smart Home Water Treatment Systems

ENGINEERING DATA

Size	1/2" FNPT, 3/4" FNPT or 1" FNPT
Connection	NPT
Max Temperature	140°F
Pressure	0-225 PSI
Valve Body, Ball, & Stem	304 SS
Seals	Viton
Voltage	95 - 250 VAC
Torque - Max	2NM
Control	On / Off

Power - Max	5W
Current	25 ± 5mA
Cycle Time	5-7 seconds
Actuator Housing	ABS
Rating	IP67
Cycle Life	70,000+
Junction Box Material	PVC
Power Cord Length	6 foot
Connection Cable	31 1/2 inches

STANDARD WIRING



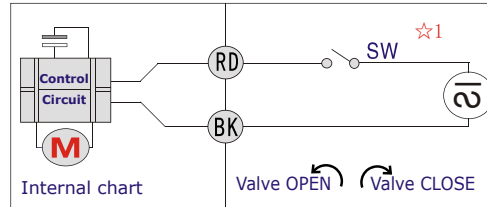
Instructions:

- ☉ If SW is connected with [OPEN], the valve will open and keep on.
- ☉ If SW is connected with [CLOSE], the valve will close and keep off.

NOTE:

☆1 SW is double connection plane switch. B2 can take place of bistable solenoid valve.

FEEDBACK WIRING



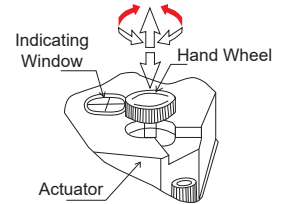
Instructions:

- ☉ If SW is closed, the valve will open and keep on.
- ☉ If SW is opened, the valve will close and keep off.

NOTE:

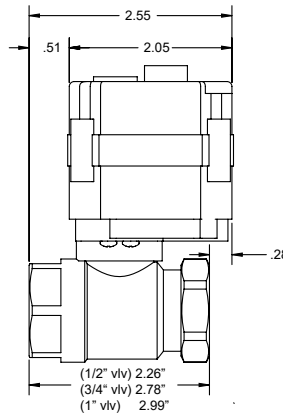
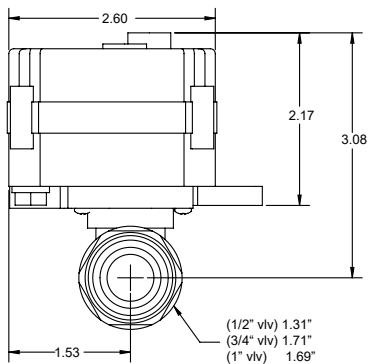
☆1 Same as wiring of monostable solenoid valve.
Attention: It should be supplied power at least 10 minutes before cutting the power automatically.

MANUAL OVERRIDE

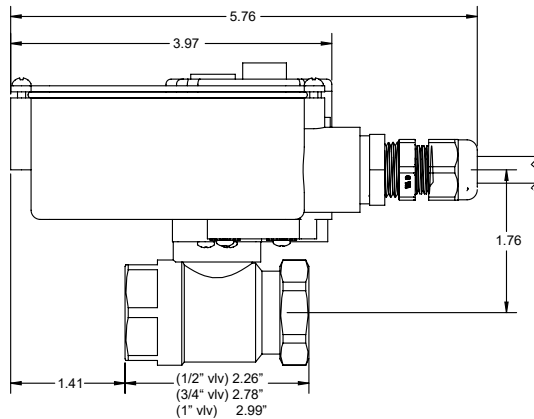
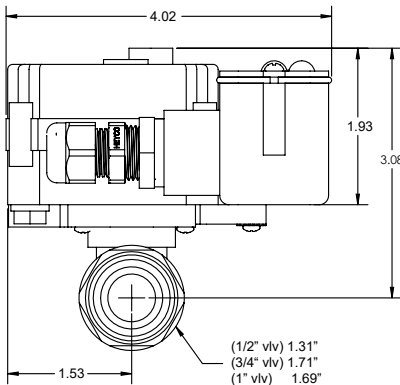


DIMENSIONS

Without Junction Box



With Junction Box



27101 Airport Road
 Punta Gorda, FL 33982
 Tel: (941) 575-3800
 Fax: (941) 575-4085
www.pulsatron.com



An ISO Certified Company



CRV001 119