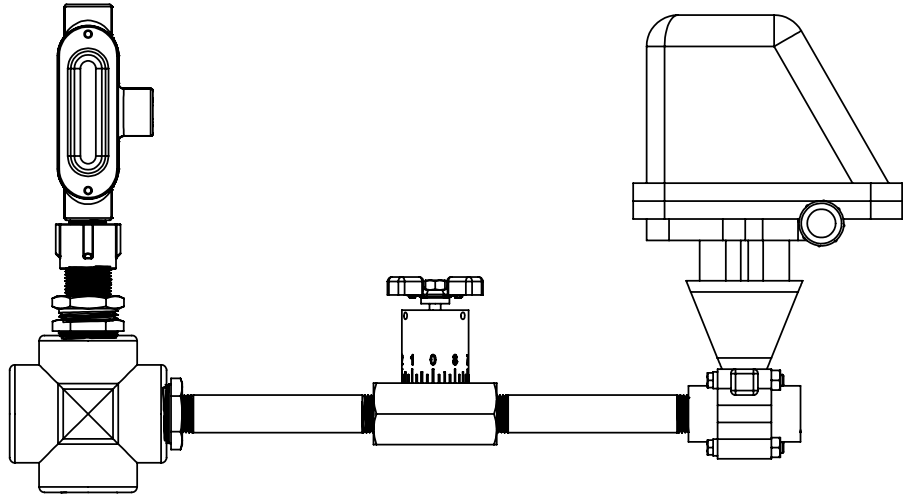


AVP

Boiler Blowdown Valve Packages



AVP valve packages take the guess work out of blowdown plumbing configurations. AVP's are factory pre-assembled to meet your boiler application pressure requirements complete with the probe cross (probe not included) and correct pipe lengths between components. Make installations even easier using prefabricated option P and we will pre-wire and mount your controller.

Model Number

AVP- _____ - _____

Electric Blowdown Valve _____

- 30** = MBWB-½ motorized ball valve SS, 360° actuator, 450 psi max
- 40** = MBWA-½ motorized ball valve SS, 90° actuator, 450 psi max
- 60** = SOB-½ brass solenoid valve, 0-140 psi max

Flow Restricting Device _____

- 00** = AOU-1 orifice union with 4 plates, 1000 psi
- 30** = NFC-½ needle flow control valve, 5000 psi max

Optional Features _____

- A** = Adds second flow restricting device for continuous sampling
- C** = ¾" probe tee instead of 1"
- F** = Add a ¾" flush ball valve on bottom of probe cross
- Y** = Add a ½" Y strainer with flush valve before blowdown valve
- Y1** = Add ¾" Y-strainer with flush valve before blowdown valve
- P** = Mount AVP and separately ordered controller onto poly board and pre-wire
- P1** = Mount AVP and separately ordered controller & sample cooler onto poly board & pre-wire

Note: Change 2nd digit of code to 1 for ¾" or 2 for 1" connection, add individual valve price difference: AVP-61-11

Specifications

The specifications of your AVP will depend on the individual items selected. The total shipping weight will be the total of the two valves selected plus approximately 9 pounds (Option P will be more).

Note: Older style VP valve packages are not pre-assembled but use components covered in the specifications listed below.

MBWB

Max Fluid Temp. 459°F
 Max Boiler Pressure 450 PSIG
 Valve Body Carbon Steel
 Ball & Stem 316 SS
 Seals Teflon
 Shipping Weight 9 lbs.
 Actuator Ambient Max. 150°F
 Standard Electrical 120 VAC 2.3 Amp
 Sizes Available 1/2" & 3/4"



MBWA

Max Fluid Temp. 459°F
 Max Boiler Pressure 450 PSIG
 Valve Body Carbon Steel
 Ball & Stem 316 SS
 Seals Teflon
 Shipping Weight 12 lbs.
 Actuator Ambient Max. 150°F
 Standard Electrical 120 VAC 2.3 Amp
 Sizes Available 1/2" & 3/4"



SGB

Max Fluid Temp. 350°F
 Max Boiler Pressure 13-140 PSIG
 Valve Body Brass
 Seals Teflon
 Shipping Weight 3 lbs.
 Standard Electrical 120 VAC
 Sizes Available 1/2" & 3/4"



SOB

Max Fluid Temp. 356°F
 Max Boiler Pressure 140 PSIG
 Valve Body Brass
 Seals Teflon
 Shipping Weight 3 lbs.
 Standard Electrical 120 VAC
 Sizes Available 1/2" & 3/4"



AOU-1

Max Fluid Temp. 500°F
 Max Boiler Pressure 1000 PSIG
 Body Carbon Steel
 Plates 316 Stainless Steel
 Shipping Weight 3 lbs.
 Sizes Available 3/4" & 1"



NFC

Max Fluid Temp 600°F
 Max Boiler Pressure 5,000 PSIG
 Body Carbon Steel
 Stem 304 Stainless Steel
 Shipping Weight 4 lbs.
 Sizes Available 1/2" & 3/4"



Get the Advantage



4700 Harold Abitz Dr
 Muskogee, OK 74403
 918-686-6211 phone
 888-686-6212 fax
www.advantagecontrols.com