

MegaTron
Controller
Supplemental

Modbus / TCP
Communications
Manual

Advantage Controls
4700 Harold Abitz Dr.
Muskogee, OK 74403
Phone: 918-686-6211
Fax: 888-686-6212
www.advantagecontrols.com
email: support@advantagecontrols.com

11/2019

Modbus / TCP Communications Manual Table of Contents

Contents	Page
I. Modbus/TCP Introduction	3
II. Modbus/TCP Overview	3
III. Modbus/TCP Data Dictionary	4
Data Types	4
Controller Data	4
Configuration Data	4
Alarm Data	5
Sensor Data	13
Relay Data.....	14
mA Output Data	14
4-20mA / 0-5V Input Data.....	14
Flow Meter Data	14

I. Modbus Introduction

The Advantage Controls MegaTron is capable of supporting TCP/IP communications via Ethernet and Data Modem. This allows for connections to our custom embedded web server via local networks and our browser based WebAdvantage service. Advantage Controls has now implemented Modbus/TCP support which allows interfacing with more customizable PC applications using HMI/SCADA and stand-alone HMI systems.

The MegaTron controller is capable of connecting to the WebAdvantage Server and most Building Management Systems. The WebAdvantage service requires a gateway to the internet with firewall and security rules in place. The Building Management System needs to be on the same subnet to properly receive traffic from the MegaTron. This may require some advanced routing of network traffic within the network wiring or programming of advanced switching equipment. The data traffic for both is provided via the same Ethernet cable coming from the MegaTron.

II. Modbus Overview

Modbus is a messaging protocol developed by Modicon in 1979. It's used to establish a client-server communication between Modbus intelligent enabled devices. Modbus is a de facto standard open and widely used network protocol within industrial manufacturing environments. The protocol is used to transfer analog I/O and register data between Modbus enabled systems.

The Advantage Controls MegaTron utilizes Modbus/TCP protocol via an Ethernet handoff. Modbus is an application layer messaging protocol, located at level 7 of the OSI model providing client-server communications between devices positioned different types of buses or networks.

Addresses use one based numbering. For systems that use zero based numbering remove 1 (3001 becomes 3000 2002:12 becomes 2001:11) All address are read-only holding registers. Data is sent in little-endian byte order. If data does not appear correct in your system you can try byte swapping or word swapping. Communication card can talk to WebAdvantage and BMS/EMS systems at the same time. For registers size 2 values you must look at both values to get correct reading.

* For more information about Modbus please visit www.modbus.org.

III. Modbus/TCP Data Dictionary - Rev. JA. 12.1

Data Types

Data Types
Bit - 1-Bit (16 Bits per Register)
Float - 32-Bit Floating Point
Long - 32-Bit Integer
Short - 16-Bit Integer
String - 8-Bits (2 per Register)

Controller Data

Controller Data	Addr.	Reg. Qty.	Size	Type
Name	0001	16	32	String
Serial Number	0017	16	32	String
Firmware Version	0033	16	32	String
Date	0049	4	8	String
Time	0053	4	8	String
Day of Week	0057	1	1	Short

Configuration Data

Configuration Data	Addr.	Reg. Size	Qty.	Total	Type
Conductivity - Set Pt #1 [1-4]	1001	1	4	4	Short
Conductivity - Set Pt #2 [1-4]	1005	1	4	4	Short
Conductivity - High Alarm Set Pt [1-4]	1009	1	4	4	Short
Conductivity - Low Alarm Set Pt [1-4]	1013	1	4	4	Short
Makeup Cond. - Set Pt #1 [1-4]	1017	1	4	4	Short
Makeup Cond. - High Alarm Set Pt [1-4]	1021	1	4	4	Short
Makeup Cond. - Low Alarm Set Pt [1-4]	1025	1	4	4	Short
pH - Set Pt #1 [1-4]	1029	2	4	8	Float
pH - Set Pt #2 [1-4]	1037	2	4	8	Float
pH - High Alarm Set Pt [1-4]	1045	2	4	8	Float
pH - Low Alarm Set Pt [1-4]	1053	2	4	8	Float
ORP - Set Pt #1 [1-4]	1061	2	4	8	Float
ORP - Set Pt #2 [1-4]	1069	2	4	8	Float
ORP - High Alarm Set Pt [1-4]	1077	2	4	8	Float
ORP - Low Alarm Set Pt [1-4]	1085	2	4	8	Float
System Temp. - Set Pt #1 [1-4]	1093	2	4	8	Float
System Temp. - High Alarm Set Pt [1-4]	1101	2	4	8	Float
System Temp. - Low Alarm Set Pt [1-4]	1109	2	4	8	Float
Auxiliary Temp. - Set Pt #1 [1-4]	1117	2	4	8	Float
Auxiliary Temp. - High Alarm Set Pt [1-4]	1125	2	4	8	Float
Auxiliary Temp. - Low Alarm Set Pt [1-4]	1133	2	4	8	Float
Delta Temp. - Set Pt #1 [1-4]	1141	2	4	8	Float

Delta Temp. - High Alarm Set Pt [1-4]	1149	2	4	8	Float
Delta Temp. - Low Alarm Set Pt [1-4]	1157	2	4	8	Float
Flow Switch - Configuration [1-4]	1165	1	4	4	Short
Temperature Scale	1169	1	1	1	Short

Alarm Data

Alarm Data	Address	Bit(s)	Type
FUTURE USE	2001:1	1	Bit
FUTURE USE	2001:2	1	Bit
FUTURE USE	2001:3	1	Bit
FUTURE USE	2001:4	1	Bit
FUTURE USE	2001:5	1	Bit
FUTURE USE	2001:6	1	Bit
FUTURE USE	2001:7	1	Bit
FUTURE USE	2001:8	1	Bit
FUTURE USE	2001:9	1	Bit
FUTURE USE	2001:10	1	Bit
FUTURE USE	2001:11	1	Bit
SYS1 ALL ALARMS	2001:12	1	Bit
SYS1 HI COND	2001:13	1	Bit
SYS1 LO COND	2001:14	1	Bit
SYS1 COND LIMIT	2001:15	1	Bit
SYS1 HI pH	2001:16	1	Bit
SYS1 LO pH	2002:1	1	Bit
SYS1 ph LIMIT	2002:2	1	Bit
SYS1 HI ORP	2002:3	1	Bit
SYS1 LO ORP	2002:4	1	Bit
SYS1 ORP LIMIT	2002:5	1	Bit
SYS1 HI TEMP 1	2002:6	1	Bit
SYS1 LO TEMP 1	2002:7	1	Bit
SYS1 HI TEMP 2	2002:8	1	Bit
SYS1 LO TEMP 2	2002:9	1	Bit
SYS1 HI DELTA TEMP	2002:10	1	Bit
SYS1 LO DELTA TEMP	2002:11	1	Bit
SYS1 NO FLOW	2002:12	1	Bit
SYS1 DIGITAL INPUT 1	2002:13	1	Bit
SYS1 DIGITAL INPUT 2	2002:14	1	Bit
SYS1 DIGITAL INPUT 3	2002:15	1	Bit
SYS1 DIGITAL INPUT 4	2002:16	1	Bit
SYS1 DIGITAL INPUT 5	2003:1	1	Bit
SYS1 MCND	2003:2	1	Bit

SYS1 HI MCND	2003:3	1	Bit
SYS1 LO MCND	2003:4	1	Bit
SYS1 MCND LIMIT	2003:5	1	Bit
SYS1 NOTE 1 HI	2003:6	1	Bit
SYS1 NOTE 2 HI	2003:7	1	Bit
SYS1 NOTE 3 HI	2003:8	1	Bit
SYS1 NOTE 4 HI	2003:9	1	Bit
SYS1 NOTE 5 HI	2003:10	1	Bit
SYS1 NOTE 6 HI	2003:11	1	Bit
SYS1 NOTE 7 HI	2003:12	1	Bit
SYS1 NOTE 8 HI	2003:13	1	Bit
SYS1 NOTE 9 HI	2003:14	1	Bit
SYS1 NOTE 10 HI	2003:15	1	Bit
SYS1 NOTE 1 LO	2003:16	1	Bit
SYS1 NOTE 2 LO	2004:1	1	Bit
SYS1 NOTE 3 LO	2004:2	1	Bit
SYS1 NOTE 4 LO	2004:3	1	Bit
SYS1 NOTE 5 LO	2004:4	1	Bit
SYS1 NOTE 6 LO	2004:5	1	Bit
SYS1 NOTE 7 LO	2004:6	1	Bit
SYS1 NOTE 8 LO	2004:7	1	Bit
SYS1 NOTE 9 LO	2004:8	1	Bit
SYS1 NOTE 10 LO	2004:9	1	Bit
SYS1 NOTE 1 TIME	2004:10	1	Bit
SYS1 NOTE 2 TIME	2004:11	1	Bit
SYS1 NOTE 3 TIME	2004:12	1	Bit
SYS1 NOTE 4 TIME	2004:13	1	Bit
SYS1 NOTE 5 TIME	2004:14	1	Bit
SYS1 NOTE 6 TIME	2004:15	1	Bit
SYS1 NOTE 7 TIME	2004:16	1	Bit
SYS1 NOTE 8 TIME	2005:1	1	Bit
SYS1 NOTE 9 TIME	2005:2	1	Bit
SYS1 NOTE 10 TIME	2005:3	1	Bit
FUTURE USE	2005:4	1	Bit
FUTURE USE	2008:1	1	Bit
FUTURE USE	2008:2	1	Bit
FUTURE USE	2008:3	1	Bit
FUTURE USE	2008:4	1	Bit
FUTURE USE	2008:5	1	Bit
FUTURE USE	2008:6	1	Bit
FUTURE USE	2008:7	1	Bit

FUTURE USE	2008:8	1	Bit
FUTURE USE	2008:9	1	Bit
FUTURE USE	2008:10	1	Bit
FUTURE USE	2008:11	1	Bit
SYS2 ALL ALARMS	2008:12	1	Bit
SYS2 HI COND	2008:13	1	Bit
SYS2 LO COND	2008:14	1	Bit
SYS2 COND LIMIT	2008:15	1	Bit
SYS2 HI ph	2008:16	1	Bit
SYS2 LO ph	2009:1	1	Bit
SYS2 ph LIMIT	2009:2	1	Bit
SYS2 HI ORP	2009:3	1	Bit
SYS2 LO ORP	2009:4	1	Bit
SYS2 ORP LIMIT	2009:5	1	Bit
SYS2 HI TEMP 1	2009:6	1	Bit
SYS2 LO TEMP 1	2009:7	1	Bit
SYS2 HI TEMP 2	2009:8	1	Bit
SYS2 LO TEMP 2	2009:9	1	Bit
SYS2 HI DELTA TEMP	2009:10	1	Bit
SYS2 LO DELTA TEMP	2009:11	1	Bit
SYS2 NO FLOW	2009:12	1	Bit
SYS2 DIGITAL INPUT 1	2009:13	1	Bit
SYS2 DIGITAL INPUT 2	2009:14	1	Bit
SYS2 DIGITAL INPUT 3	2009:15	1	Bit
SYS2 DIGITAL INPUT 4	2009:16	1	Bit
SYS2 DIGITAL INPUT 5	2010:1	1	Bit
SYS2 MCND	2010:2	1	Bit
SYS2 HI MCND	2010:3	1	Bit
SYS2 LO MCND	2010:4	1	Bit
SYS2 MCND LIMIT	2010:5	1	Bit
SYS2 NOTE 1 HI	2010:6	1	Bit
SYS2 NOTE 2 HI	2010:7	1	Bit
SYS2 NOTE 3 HI	2010:8	1	Bit
SYS2 NOTE 4 HI	2010:9	1	Bit
SYS2 NOTE 5 HI	2010:10	1	Bit
SYS2 NOTE 6 HI	2010:11	1	Bit
SYS2 NOTE 7 HI	2010:12	1	Bit
SYS2 NOTE 8 HI	2010:13	1	Bit
SYS2 NOTE 9 HI	2010:14	1	Bit
SYS2 NOTE 10 HI	2010:15	1	Bit
SYS2 NOTE 1 LO	2010:16	1	Bit

SYS2 NOTE 2 LO	2011:1	1	Bit
SYS2 NOTE 3 LO	2011:2	1	Bit
SYS2 NOTE 4 LO	2011:3	1	Bit
SYS2 NOTE 5 LO	2011:4	1	Bit
SYS2 NOTE 6 LO	2011:5	1	Bit
SYS2 NOTE 7 LO	2011:6	1	Bit
SYS2 NOTE 8 LO	2011:7	1	Bit
SYS2 NOTE 9 LO	2011:8	1	Bit
SYS2 NOTE 10 LO	2011:9	1	Bit
SYS2 NOTE 1 TIME	2011:10	1	Bit
SYS2 NOTE 2 TIME	2011:11	1	Bit
SYS2 NOTE 3 TIME	2011:12	1	Bit
SYS2 NOTE 4 TIME	2011:13	1	Bit
SYS2 NOTE 5 TIME	2011:14	1	Bit
SYS2 NOTE 6 TIME	2011:15	1	Bit
SYS2 NOTE 7 TIME	2011:16	1	Bit
SYS2 NOTE 8 TIME	2012:1	1	Bit
SYS2 NOTE 9 TIME	2012:2	1	Bit
SYS2 NOTE 10 TIME	2012:3	1	Bit
FUTURE USE	2012:4	1	Bit
FUTURE USE	2015:1	1	Bit
FUTURE USE	2015:2	1	Bit
FUTURE USE	2015:3	1	Bit
FUTURE USE	2015:4	1	Bit
FUTURE USE	2015:5	1	Bit
FUTURE USE	2015:6	1	Bit
FUTURE USE	2015:7	1	Bit
FUTURE USE	2015:8	1	Bit
FUTURE USE	2015:9	1	Bit
FUTURE USE	2015:10	1	Bit
FUTURE USE	2015:11	1	Bit
SYS3 ALL ALARMS	2015:12	1	Bit
SYS3 HI COND	2015:13	1	Bit
SYS3 LO COND	2015:14	1	Bit
SYS3 COND LIMIT	2015:15	1	Bit
SYS3 HI ph	2015:16	1	Bit
SYS3 LO ph	2016:1	1	Bit
SYS3 ph LIMIT	2016:2	1	Bit
SYS3 HI ORP	2016:3	1	Bit
SYS3 LO ORP	2016:4	1	Bit
SYS3 ORP LIMIT	2016:5	1	Bit

SYS3 HI TEMP 1	2016:6	1	Bit
SYS3 LO TEMP 1	2016:7	1	Bit
SYS3 HI TEMP 2	2016:8	1	Bit
SYS3 LO TEMP 2	2016:9	1	Bit
SYS3 HI DELTA TEMP	2016:10	1	Bit
SYS3 LO DELTA TEMP	2016:11	1	Bit
SYS3 NO FLOW	2016:12	1	Bit
SYS3 DIGITAL INPUT 1	2016:13	1	Bit
SYS3 DIGITAL INPUT 2	2016:14	1	Bit
SYS3 DIGITAL INPUT 3	2016:15	1	Bit
SYS3 DIGITAL INPUT 4	2016:16	1	Bit
SYS3 DIGITAL INPUT 5	2017:1	1	Bit
SYS3 MCND	2017:2	1	Bit
SYS3 HI MCND	2017:3	1	Bit
SYS3 LO MCND	2017:4	1	Bit
SYS3 MCND LIMIT	2017:5	1	Bit
SYS3 NOTE 1 HI	2017:6	1	Bit
SYS3 NOTE 2 HI	2017:7	1	Bit
SYS3 NOTE 3 HI	2017:8	1	Bit
SYS3 NOTE 4 HI	2017:9	1	Bit
SYS3 NOTE 5 HI	2017:10	1	Bit
SYS3 NOTE 6 HI	2017:11	1	Bit
SYS3 NOTE 7 HI	2017:12	1	Bit
SYS3 NOTE 8 HI	2017:13	1	Bit
SYS3 NOTE 9 HI	2017:14	1	Bit
SYS3 NOTE 10 HI	2017:15	1	Bit
SYS3 NOTE 1 LO	2017:16	1	Bit
SYS3 NOTE 2 LO	2018:1	1	Bit
SYS3 NOTE 3 LO	2018:2	1	Bit
SYS3 NOTE 4 LO	2018:3	1	Bit
SYS3 NOTE 5 LO	2018:4	1	Bit
SYS3 NOTE 6 LO	2018:5	1	Bit
SYS3 NOTE 7 LO	2018:6	1	Bit
SYS3 NOTE 8 LO	2018:7	1	Bit
SYS3 NOTE 9 LO	2018:8	1	Bit
SYS3 NOTE 10 LO	2018:9	1	Bit
SYS3 NOTE 1 TIME	2018:10	1	Bit
SYS3 NOTE 2 TIME	2018:11	1	Bit
SYS3 NOTE 3 TIME	2018:12	1	Bit
SYS3 NOTE 4 TIME	2018:13	1	Bit
SYS3 NOTE 5 TIME	2018:14	1	Bit

SYS3 NOTE 6 TIME	2018:15	1	Bit
SYS3 NOTE 7 TIME	2018:16	1	Bit
SYS3 NOTE 8 TIME	2019:1	1	Bit
SYS3 NOTE 9 TIME	2019:2	1	Bit
SYS3 NOTE 10 TIME	2019:3	1	Bit
FUTURE USE	2019:4	1	Bit
FUTURE USE	2022:1	1	Bit
FUTURE USE	2022:2	1	Bit
FUTURE USE	2022:3	1	Bit
FUTURE USE	2022:4	1	Bit
FUTURE USE	2022:5	1	Bit
FUTURE USE	2022:6	1	Bit
FUTURE USE	2022:7	1	Bit
FUTURE USE	2022:8	1	Bit
FUTURE USE	2022:9	1	Bit
FUTURE USE	2022:10	1	Bit
FUTURE USE	2022:11	1	Bit
SYS4 ALL ALARMS	2022:12	1	Bit
SYS4 HI COND	2022:13	1	Bit
SYS4 LO COND	2022:14	1	Bit
SYS4 COND LIMIT	2022:15	1	Bit
SYS4 HI ph	2022:16	1	Bit
SYS4 LO ph	2023:1	1	Bit
SYS4 ph LIMIT	2023:2	1	Bit
SYS4 HI ORP	2023:3	1	Bit
SYS4 LO ORP	2023:4	1	Bit
SYS4 ORP LIMIT	2023:5	1	Bit
SYS4 HI TEMP 1	2023:6	1	Bit
SYS4 LO TEMP 1	2023:7	1	Bit
SYS4 HI TEMP 2	2023:8	1	Bit
SYS4 LO TEMP 2	2023:9	1	Bit
SYS4 HI DELTA TEMP	2023:10	1	Bit
SYS4 LO DELTA TEMP	2023:11	1	Bit
SYS4 NO FLOW	2023:12	1	Bit
SYS4 DIGITAL INPUT 1	2023:13	1	Bit
SYS4 DIGITAL INPUT 2	2023:14	1	Bit
SYS4 DIGITAL INPUT 3	2023:15	1	Bit
SYS4 DIGITAL INPUT 4	2023:16	1	Bit
SYS4 DIGITAL INPUT 5	2024:1	1	Bit
SYS4 MCND	2024:2	1	Bit
SYS4 HI MCND	2024:3	1	Bit

SYS4 LO MCND	2024:4	1	Bit
SYS4 MCND LIMIT	2024:5	1	Bit
SYS4 NOTE 1 HI	2024:6	1	Bit
SYS4 NOTE 2 HI	2024:7	1	Bit
SYS4 NOTE 3 HI	2024:8	1	Bit
SYS4 NOTE 4 HI	2024:9	1	Bit
SYS4 NOTE 5 HI	2024:10	1	Bit
SYS4 NOTE 6 HI	2024:11	1	Bit
SYS4 NOTE 7 HI	2024:12	1	Bit
SYS4 NOTE 8 HI	2024:13	1	Bit
SYS4 NOTE 9 HI	2024:14	1	Bit
SYS4 NOTE 10 HI	2024:15	1	Bit
SYS4 NOTE 1 LO	2024:16	1	Bit
SYS4 NOTE 2 LO	2025:1	1	Bit
SYS4 NOTE 3 LO	2025:2	1	Bit
SYS4 NOTE 4 LO	2025:3	1	Bit
SYS4 NOTE 5 LO	2025:4	1	Bit
SYS4 NOTE 6 LO	2025:5	1	Bit
SYS4 NOTE 7 LO	2025:6	1	Bit
SYS4 NOTE 8 LO	2025:7	1	Bit
SYS4 NOTE 9 LO	2025:8	1	Bit
SYS4 NOTE 10 LO	2025:9	1	Bit
SYS4 NOTE 1 TIME	2025:10	1	Bit
SYS4 NOTE 2 TIME	2025:11	1	Bit
SYS4 NOTE 3 TIME	2025:12	1	Bit
SYS4 NOTE 4 TIME	2025:13	1	Bit
SYS4 NOTE 5 TIME	2025:14	1	Bit
SYS4 NOTE 6 TIME	2025:15	1	Bit
SYS4 NOTE 7 TIME	2025:16	1	Bit
SYS4 NOTE 8 TIME	2026:1	1	Bit
SYS4 NOTE 9 TIME	2026:2	1	Bit
SYS4 NOTE 10 TIME	2026:3	1	Bit
SYS4 pH2	2026:4	1	Bit
FUTURE USE	2029:1	1	Bit
MA IN1 HIGH	2029:2	1	Bit
MA IN1 LOW	2029:3	1	Bit
FUTURE USE	2029:4	1	Bit
MA IN2 HIGH	2029:5	1	Bit
MA IN2 LOW	2029:6	1	Bit
FUTURE USE	2029:7	1	Bit
MA IN3 HIGH	2029:8	1	Bit

MA IN3 LOW	2029:9	1	Bit
FUTURE USE	2029:10	1	Bit
MA IN4 HIGH	2029:11	1	Bit
MA IN4 LOW	2029:12	1	Bit
FUTURE USE	2029:13	1	Bit
MA IN5 HIGH	2029:14	1	Bit
MA IN5 LOW	2029:15	1	Bit
FUTURE USE	2029:16	1	Bit
MA IN6 HIGH	2030:1	1	Bit
MA IN6 LOW	2030:2	1	Bit
FUTURE USE	2030:3	1	Bit
MA IN7 HIGH	2030:4	1	Bit
MA IN7 LOW	2030:5	1	Bit
FUTURE USE	2030:6	1	Bit
MA IN8 HIGH	2030:7	1	Bit
MA IN8 HIGH	2030:8	1	Bit
UTILITY	2030:9	1	Bit
ALL ALARMS	2030:10	1	Bit
FM1 FLOW	2030:11	1	Bit
FM1 FLOW VERIFY	2030:12	1	Bit
FM1 VOLUME	2030:13	1	Bit
FM2 FLOW	2030:14	1	Bit
FM2 FLOW VERIFY	2030:15	1	Bit
FM2 VOLUME	2030:16	1	Bit
FM3 FLOW	2031:1	1	Bit
FM3 FLOW VERIFY	2031:2	1	Bit
FM3 VOLUME	2031:3	1	Bit
FM4 FLOW	2031:4	1	Bit
FM4 FLOW VERIFY	2031:5	1	Bit
FM4 VOLUME	2031:6	1	Bit
FM5 FLOW	2031:7	1	Bit
FM5 FLOW VERIFY	2031:8	1	Bit
FM5 VOLUME	2031:9	1	Bit
FM6 FLOW	2031:10	1	Bit
FM6 FLOW VERIFY	2031:11	1	Bit
FM6 VOLUME	2031:12	1	Bit
FM7 FLOW	2031:13	1	Bit
FM7 FLOW VERIFY	2031:14	1	Bit
FM7 VOLUME	2031:15	1	Bit
FM8 FLOW	2031:16	1	Bit
FM8 FLOW VERIFY	2032:1	1	Bit

FM8 VOLUME	2032:2	1	Bit
FM9 FLOW	2032:3	1	Bit
FM9 FLOW VERIFY	2032:4	1	Bit
FM9 VOLUME	2032:5	1	Bit
FM10 FLOW	2032:6	1	Bit
FM10 FLOW VERIFY	2032:7	1	Bit
FM10 VOLUME	2032:8	1	Bit
R1 MAX HRS	2032:9	1	Bit
R2 MAX HRS	2032:10	1	Bit
R3 MAX HRS	2032:11	1	Bit
R4 MAX HRS	2032:12	1	Bit
R5 MAX HRS	2032:13	1	Bit
R6 MAX HRS	2032:14	1	Bit
R7 MAX HRS	2032:15	1	Bit
R8 MAX HRS	2032:16	1	Bit
R9 MAX HRS	2033:1	1	Bit
R10 MAX HRS	2033:2	1	Bit
R11 MAX HRS	2033:3	1	Bit
R12 MAX HRS	2033:4	1	Bit
R13 MAX HRS	2033:5	1	Bit
R14 MAX HRS	2033:6	1	Bit
R15 MAX HRS	2033:7	1	Bit
R16 MAX HRS	2033:8	1	Bit
R17 MAX HRS	2033:9	1	Bit
R18 MAX HRS	2033:10	1	Bit
R19 MAX HRS	2033:11	1	Bit
R20 MAX HRS	2033:12	1	Bit
MA IN1 LIMIT	2033:13	1	Bit
MA IN2 LIMIT	2033:14	1	Bit
MA IN3 LIMIT	2033:15	1	Bit
MA IN4 LIMIT	2033:16	1	Bit
MA IN5 LIMIT	2034:1	1	Bit
MA IN6 LIMIT	2034:2	1	Bit
MA IN7 LIMIT	2034:3	1	Bit
MA IN8 LIMIT	2034:4	1	Bit

Sensor Data

Sensor Data	Addr.	Reg. Size	Qty.	Total	Type
-------------	-------	-----------	------	-------	------

Conductivity [1-4]	3001	1	4	4	Short
Makeup Cond. [1-4]	3005	1	4	4	Short
pH [1-4]	3009	2	4	8	Float
ORP [1-4]	3017	2	4	8	Float
System Temp. [1-4]	3025	2	4	8	Float
Auxiliary Temp. [1-4]	3033	2	4	8	Float
Flow [1-4]	3041	1	4	4	Short
Water Meter #1 - Total Value [1-4]	3045	2	4	8	Long
Water Meter #2 - Total Value [1-4]	3053	2	4	8	Long
Makeup Cycles [1-4]	3061	2	4	8	Float

Relay Data

Relay Data	Addr.	Reg. Size	Qty.	Total	Type
Relay [1-20] (See Note #1)	4001	1	20	20	Short

Note #1 0=H-OFF 1=H-ON 2=OFF 3=ON

mA Output Data

mA Output Data	Addr.	Reg. Size	Qty.	Total	Type
Value [1-6]	4201	2	6	12	Float

4-20mA / 0-5V Input Data

4-20mA / 0-5V Input Data	Addr.	Reg. Size	Qty.	Total	Type
Value [1-6]	4251	2	8	16	Float

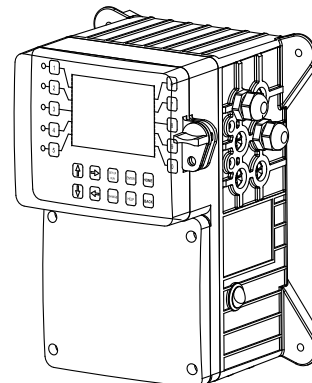
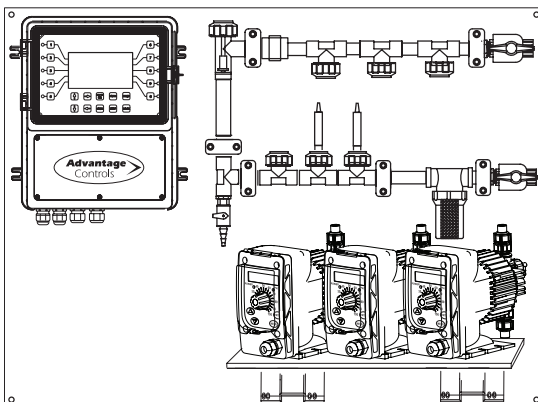
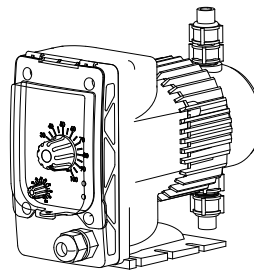
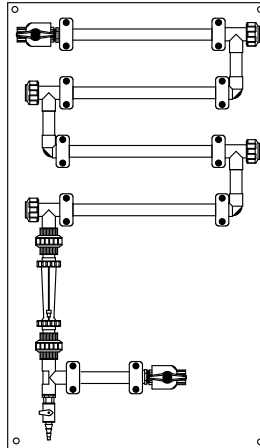
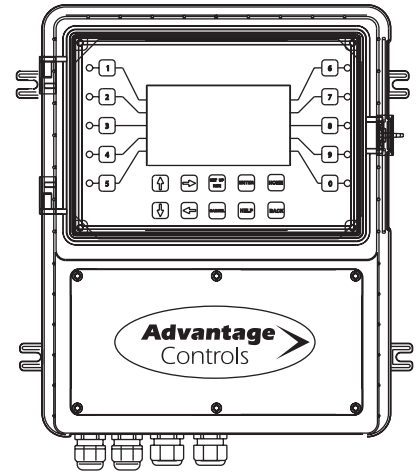
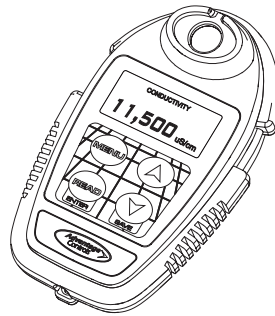
Flow Meter Data

Flow Meter Data	Addr.	Reg. Size	Qty.	Total	Type
Total [1-10]	4301	2	10	20	Float
Flow Rate [1-10]	4321	2	10	20	Float

Get the Advantage in Water Treatment Equipment

Advantage Controls can give you the *Advantage* in products, knowledge and support on all of your water treatment equipment needs.

- Cooling Tower Controllers
- Boiler Blow Down Controllers
- Blow Down Valve Packages
- Solenoid Valves
- Water Meters
- Chemical Metering Pumps
- Corrosion Coupon Racks
- Chemical Solution Tanks
- Solid Feed Systems
- Feed Timers
- Filter Equipment
- Glycol Feed Systems
- Pre Fabricated Systems



Get the Advantage

Advantage
Controls