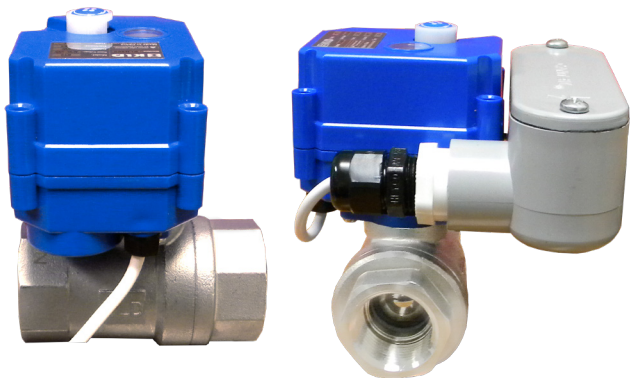




*Capacitor Return Motorized Ball Valve with  
Manual Override*



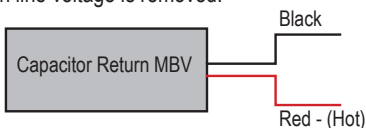
**INSTALLATION INSTRUCTIONS**

## Plumbing

The capacitor return motorized ball valve should be installed horizontally with the actuator above the ball valve. The flow can pass in either direction through the valves. A strainer upstream is recommended to prevent damage in high particulate applications. Also, it is recommended for maintenance to install isolation and bypass valves.

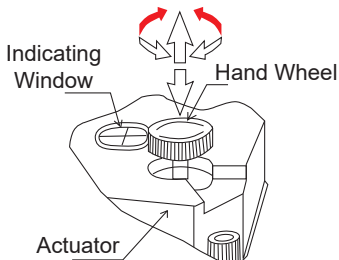
## Wiring

The capacitor return motorized ball valve's black wire connects to neutral and the red wire connects to hot. Models with a "-J" will include a junction with a 6 foot power cord. The valve is designed to work on standard 120VAC electric. Valves with the actuator rated in the AC95-250V range will operate off a line voltage within this range and voltage outside this range will damage the actuator. When line voltage is applied the valve will open and the valve will close when line voltage is removed.



## Manual Override

The manual override will allow the valve to be operated when the power is removed. First, remove the valve from the power source and if there is a charge on the capacitor it will rotate the valve until discharged. Lift the hand-wheel and turn it until the valve is in place. When the red line on the indicator is horizontal, the valve is on. When the red line on the indicator is vertical, the valve is closed. Press down on the hand-wheel after using the manual override in order to work properly when power is supplied.



## Warning

1. Manual operation with the power still connected may cause damage.
2. If sand is in water then filters should be installed to protect valve seal and prevent leakage.
3. Actuators are not to be installed up-side down.
4. The circuit will be damaged if surpassing the upper voltage range.

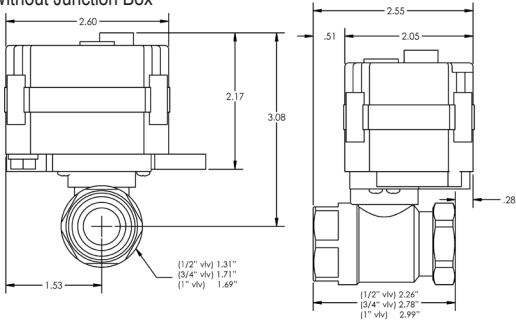


## Specification

Size	1/2" FNPT, 3/4" FNPT or 1" FNPT
Connection	NPT
Max Temperature	140°F
Pressure	0-225 PSI
Valve Body, Ball, & Stem	304 SS
Seals	EPDM
Voltage	120 VAC
Torque - Max	2NM
Power - Max	5W
Current	25 ± 5mA
Cycle Time	5-7 seconds
Actuator Housing	ABS
Rating	IP67
Cycle Life	70,000+
Junction Box Material	PVC
Power Cord Length	6 foot

# Dimensions

## Without Junction Box



## With Junction Box

