

# PULSAFEEDER®

2400T Series Metering Pumps / Grease Trap Dispensers are capable to dispensing low volumes of chemicals, detergents, liquid enzymes, fragrances and bio-chemicals. They are programmable for use in difficult drain/grease cleaning situations.

The 2400T-DC is battery powered for added safety and convenience. The pump is designed for extended battery life and runs on easy-to-install, economical D-size batteries, (Batteries not included), with a visual, low battery indicator built in.

The pump case on the 2400T and 2400T Plus is molded of a rugged chemical resistant ABS, while the 2400T-DC is enclosed inside this case. An available option for the 2400T Plus is a lockable latch cover. Mounting pads and a built-in wall mounting bracket allow choice of flat surface or wall mounted installation.

The 2400T features a 24-hour day timer which provides 96 settings in 15 minute increments. The 2400T Plus and 2400T-DC feature a quartz driven time switch with large LCD display showing time, day, switching programs, and program status with a manual override provided. Timer has 8 on/off settings per day, available for daily or weekly programming and can be programmed down to one-minute increments. A lithium battery provides minimum 5-year backup.

Optional tubing materials are available for special chemical applications and higher outputs.



## FEATURES

- Engineered to dispense low volumes of chemical
- Programmable
- Prime push button for quick start-up
- Clear polycarbonate, acid-resistant head

## OPERATING BENEFITS

- Quick-release twist off head
- Self-lubricating chemical resistant roller assembly
- Durable, long-lasting tubing with no tube adjustment
- Impedance protected gearmotor is safe, quiet and dependable
- Metal gearing parts are heat treated and output shaft supported by heavy duty bearings

## CONTROLS



- On/Off Switch
- 2400T- 24 hour mechanical timer
- 2400T PLUS & DC-
- 7 day, 8 event programmable timer



Contact factory  
for applicable  
agency approvals.

# MEC-O-MATIC

## 2400T Series Peristaltic Metering Pumps

## SPECIFICATION AND MODEL SELECTION

MODEL		2400T	2400T DC	2400T Plus
Timer		Mechanical	Programmable Microprocessor	Programmable Microprocessor
Nominal Feed Rate	24 hrs	2.5 gal	NA	2.5 gal
	1 hr	13.2 oz	NA	13.2 oz
	15 min	3.3 oz	NA	3.3 oz
	1 min	NA	3.0 oz	0.22 oz
Pressure (Max)	PSIG	25		
	BAR	1.72		
Head	Tubing	0.125" ID x 0.38" OD	0.25" ID x 0.44" OD	0.125" ID x 0.31" OD
Connections	Tubing	0.17" ID x 0.25" OD		

## ENGINEERING DATA

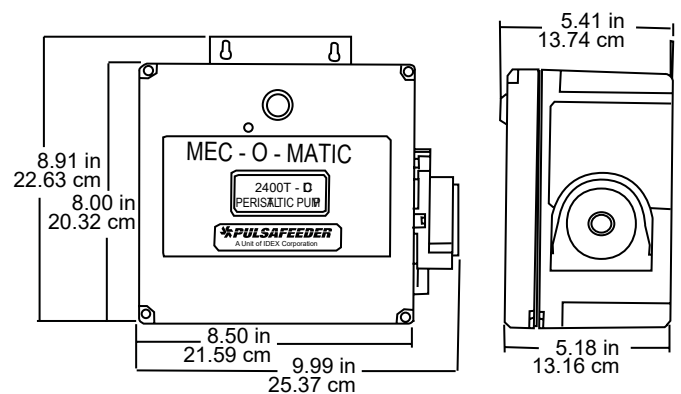
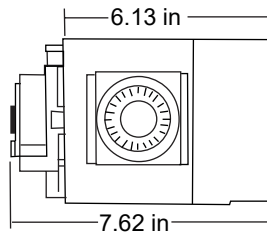
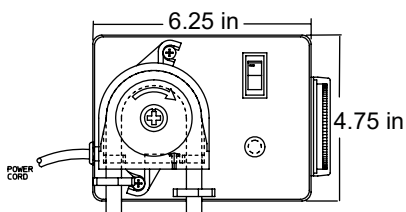
Pump Head Materials	Chemical Resistant Resin
Pump Head Tubing	122°F / 50°C
2400T & 2400T Plus	Viton; Silicone
2400T-DC	Norprene
Injection Fitting (Standard w/check Vlv)	PVC
Strainer	FPP
Tubing	PE
Pump Housing	Chemical Resistant Resin
Power Input	
2400T & 2400T Plus	115 V 60 HZ
2400T-DC	12 V DC
Max Ambient Temperature	104°F (40°C)
Shipping Weight	
2400T & 2400T Plus	7 lbs
2400T-DC	7.5 lbs

Important: Material Code - PVC=Polyvinyl Chloride, PE=Polyethylene

## TYPICAL INSTALLATION



## DIMENSIONS



**PULSAFEEDER**

27101 Airport Road  
Punta Gorda, FL 33982  
Tel: (941) 575-3800  
Fax: (941) 575-4085  
[www.pulsatron.com](http://www.pulsatron.com)



An ISO Certified Company

**IDEX**  
MOM005 H19